



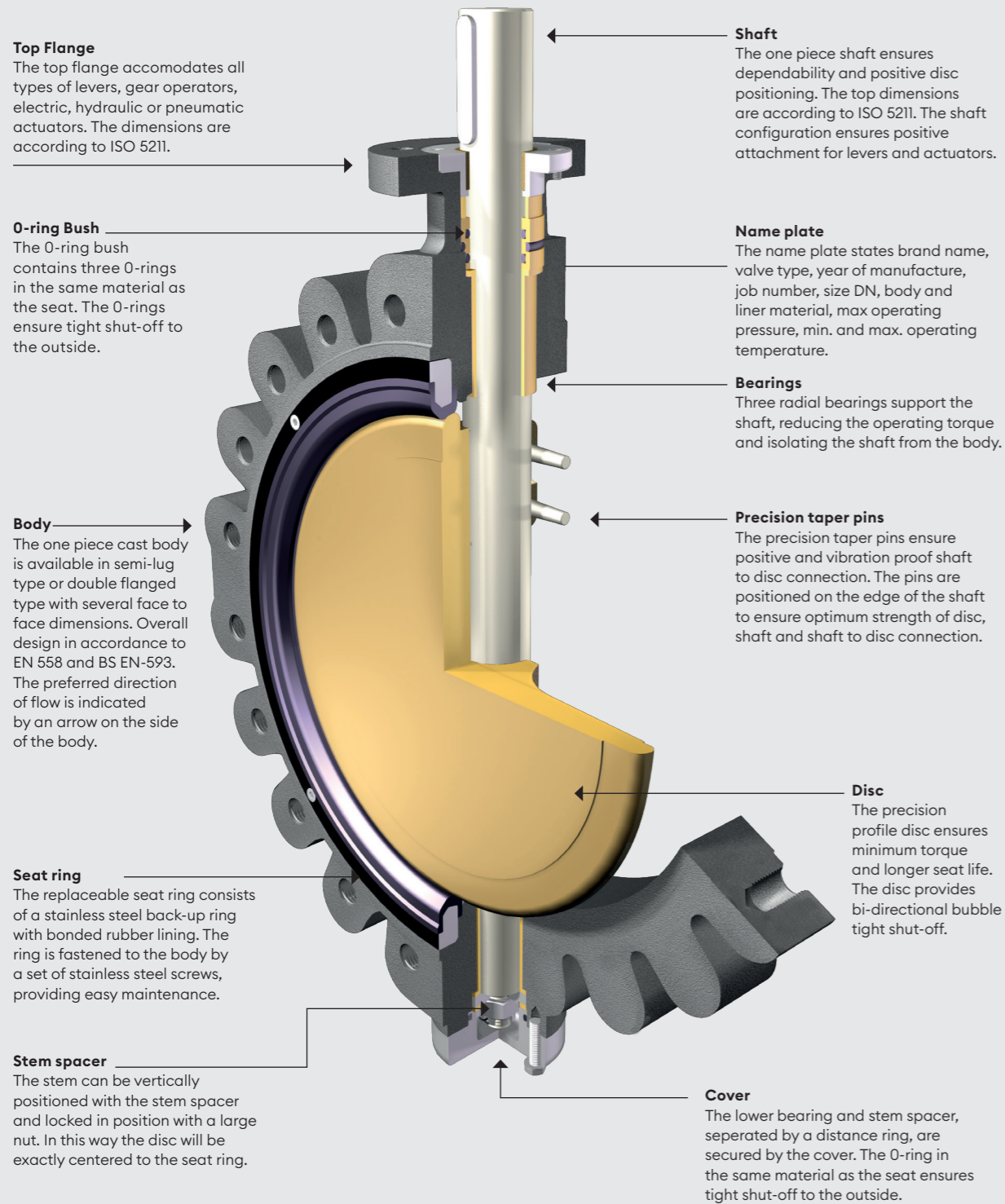
**butterfly valves
double eccentric
replaceable seat ring**

made in Abu Dhabi

 **advalco**

NSJ

wafer, full lug, double flanged



NSJ (Wafer)
NSJ/LT (fully Lugged)
NSJ/BA/BAL (Double Flanged)

Description
Seat ring exchange is very simple and does not require removal of the actuator bi-directional up to 10 bar. Bubble tight shut-off on preferred direction of flow up 27.5 bar and is indicated on the valve body. Face to face dimensions to manufacturers standard. Overall design generally in accordance to BS EN 593 Actuator Flange and shaft end in accordance to ISO 5211.

Industry application
Offshore / Shipbuilding (Cargo / Ballast Systems)
Defense Industry
Petrochemical / Oil and Gas
Heavy Industry / Power and Desalination Plants

Size range
DN100- DN900

Specifications

Suitable as end of line valve type for type NSJ/LT and NSJ/BA/BAL

Working pressure 0.1 bar absolute to 25 bar (Body test 37.5 bar)

Mounting between ASME cl-150 DIN PN10, PN16, PN25, Jis5k, 10k, 16k

Coating color: RAL (to be announced)

Corrosion Protection inside valve body

▶ VALVE BODIES

Ductile Cast Iron EN 1563-GJS 400-15

Cast Carbon Steel a 216 WCB

Ni/Al-Bronze AB-2 or to ASTM B148

Stainless Steel 316

▶ **RUBBER LINERS** NBR, EPDM VITON (FPM), CR (Chloroprene)

▶ DISC MATERIALS

Ni/Al-Bronze C95800 ASTM B148

Stainless Steel A743-CF8M and AISI 410

Ductile Cast Iron Rilsan Coated

Monel ASTM A494 M35

Duplex and Super Duplex

▶ SHAFTS AND PINS MATERIALS

Stainless Steel EN 10088-3 1.4122

Stainless Steel (316L) EN 10088-3 1.14404

Monel K 500 BS 3076 NA18

Ni/Al-Bronze EN1265

Duplex and Super duplex

▶ COATINGS

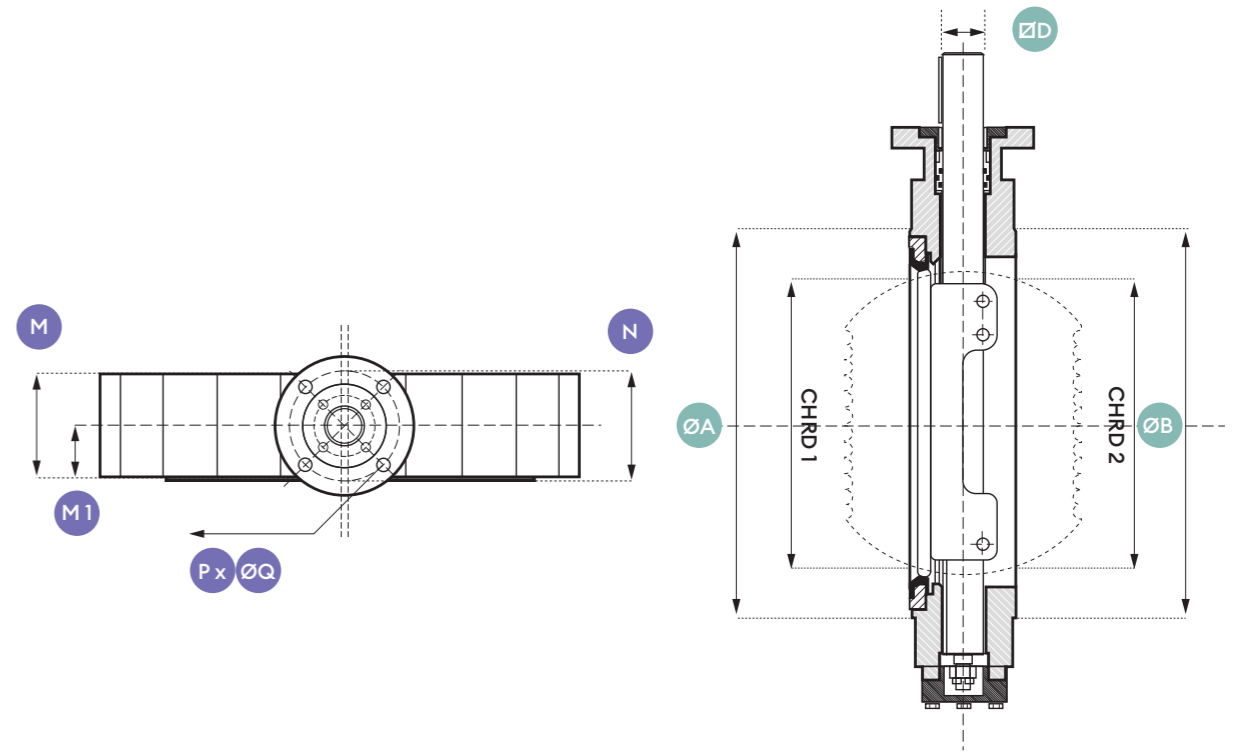
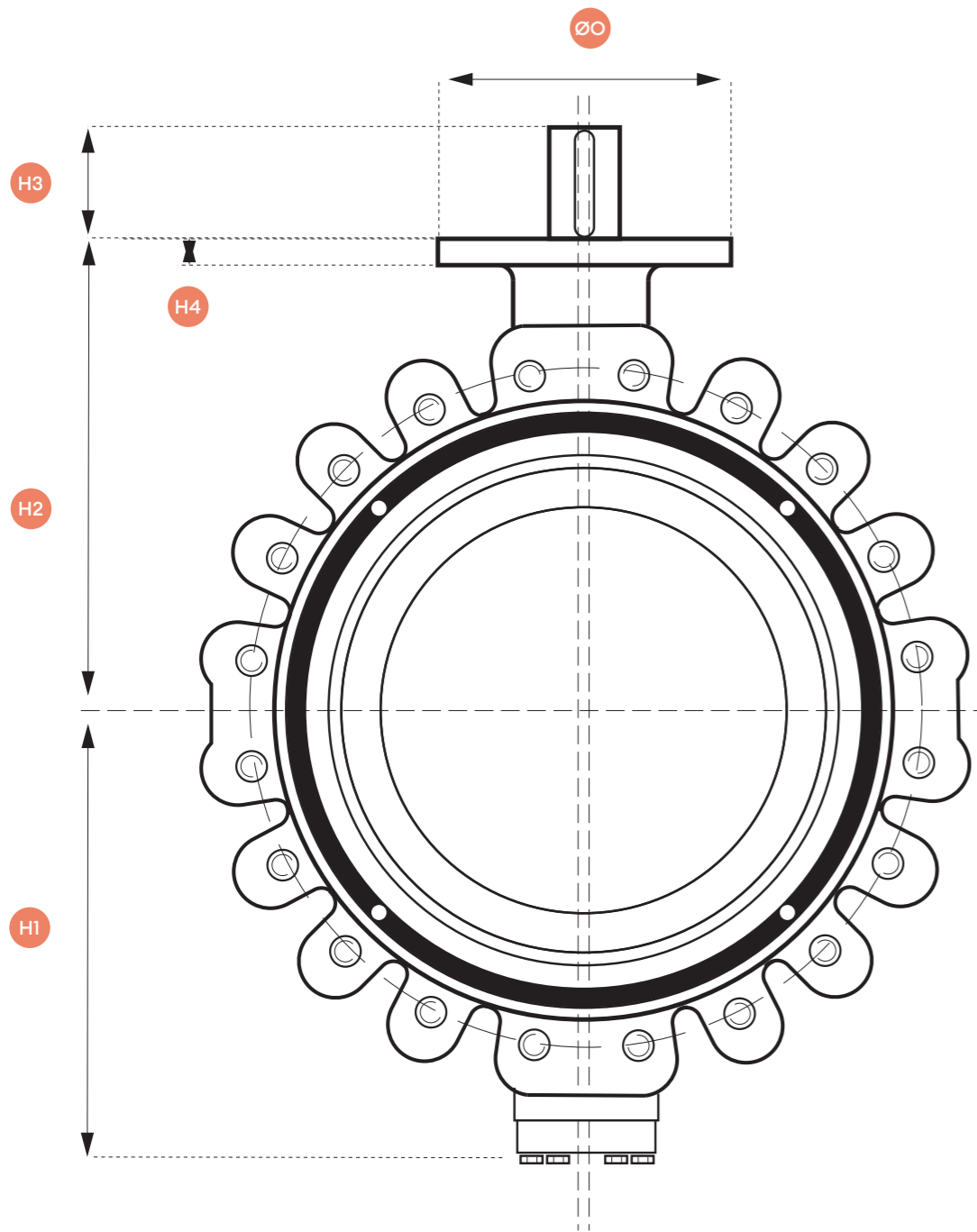
Standard Coating Alkyd Primer 60 Mu Ral

Coating No2 1 layer high solid epoxy 80-100 Mu

Coating No3 1 layer high solid epoxy 80-100 Mu, 1 layer high solid polyurethane 60 Mu

Coating No3 1 layer high solid epoxy 80-100 Mu, 2 layers high solid high build polyurethane 140 Mu

NSJ Series, JIS 5K, 10K, 16k DIN PN10, PN16 PN25 ASME Class 150



All types

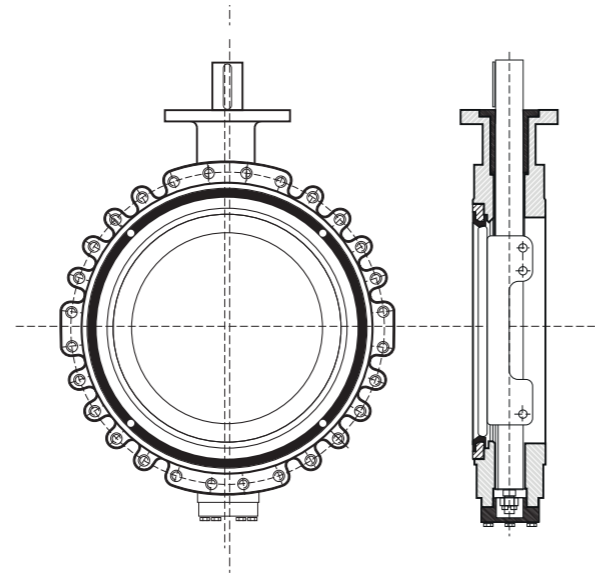
Size	Key No-size	Front view					Side view				Top view				
		ØO	H1	H2	H3	H4	ØA	Chrd		ØB	ØD*	P	ØQ	N	M
								ex	dex						
100	1-5x5x40	125	148	165	50	25	90	66	54	155	16	4	12	34	34
125	1-5x5x40	125	168	190	50	25	115	96	87	189	16	4	12	35	35
150	1-6x6x40	125	180	200	50	25	160	123	114	216	20	4	12	40	40
200	1-8x7x50	150	210	225	60	25	200	159	152	265	25	4	14	47	47
250	1-8x7x70	150	250	265	80	25	256	210	205	324	30	4	14	52	52
300	1-10x8x70	175	275	300	80	30	306	264	259	373	35	4	18	55	55
350	1-12x8x80	175	325	330	90	30	314	297	292	412	40	4	18	60	60
400	1-14x9x100	175	340	355	110	30	391	342	335	475	50	4	18	70	70
450	1-16x10x100	210	395	410	110	30	444	387	381	535	55	4	22	75	75
500	1-18x11x100	210	420	445	110	35	492	436	431	582	60	4	22	80	80
550	1-18x11x100	300	450	505	110	35	542	480	476	637	65	8	18	85	85
600	1-20x12x100	300	480	530	110	35	590	525	520	690	70	8	18	95	95
650	1-20x12x110	300	485	585	120	35	640	573	569	740	75	8	18	100	100
700	1-22x14x110	300	530	610	120	35	698	619	614	800	80	8	18	110	110
750	1-22x14x110	300	540	660	120	35	698	666	661	846	85	8	18	115	115
800	1-25x14x110	300	590	680	120	35	750	717	712	900	90	8	18	120	120
900	1-28x16x110	350	675	690	120	40	843	809	803	992	105	8	22	135	135

* Shaft diameter for working pressure 10 bar

NSJ Series, JIS 5K, 10K, 16k DIN PN10, PN16 PN25 ASME Class 150

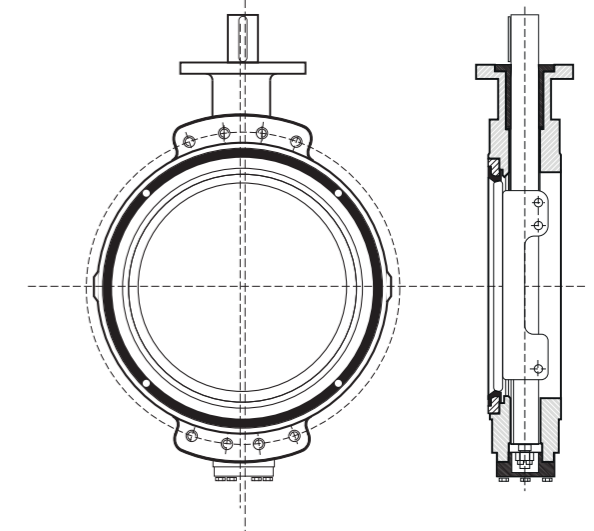
NSJ/LT

Full lug butterfly valve
Double eccentric design
Wafer pattern with threaded
holes



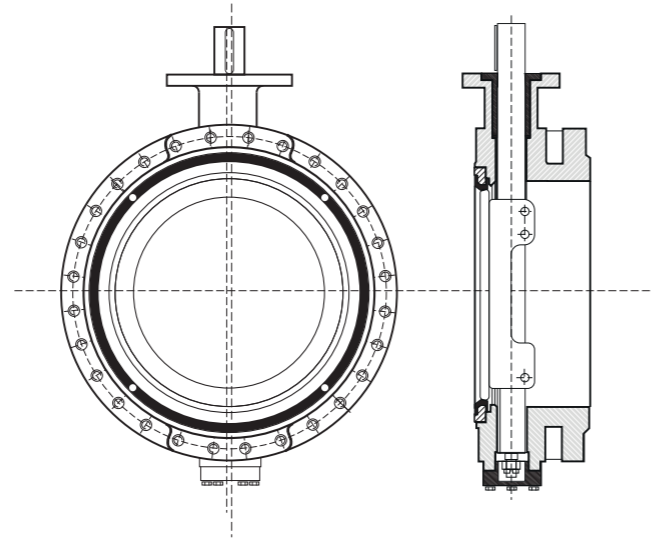
NSJ

Semi-lug butterfly valve
Double eccentric design
Wafer pattern with 4 threaded
holes (from DN600 and up 8
threaded holes)



NSJ/BA

Double flange type butterfly
valve double eccentric design



Size	NSJ			NSJ/LT			NSJ/BA			NSJ/BAL						
	M	Chrd		Kg	M	Chrd		Kg	M	Chrd		Kg	M	Chrd		Kg
		ex	dex			ex	dex			dex	ex					
100	65	72	79	27	65	72	79	30	127	-	40	190	-	44		
125	70	97	104	32	70	97	104	35	140	-	44	200	-	48		
150	90	107	117	37	90	107	117	43	140	-	54	210	-	59		
200	100	152	159	46	100	152	159	60	152	-	70	230	-	77		
250	110	205	211	68	110	205	211	88	165	96	107	250	-	116		
300	110	264	269	80	110	264	269	104	178	164	143	270	-	155		
350	120	297	301	102	120	297	301	150	190	201	179	290	-	195		
400	130	350	355	142	130	350	355	210	216	248	248	310	-	270		
450	150	387	392	194	150	387	392	247	222	306	310	330	-	336		
500	160	437	441	250	160	437	441	340	229	368	381	350	-	413		
550	170	480	484	304	170	480	484	437	229	428	449	350	-	485		
600	200	517	523	393	200	517	523	558	267	450	575	390	-	622		
650	210	566	571	492	210	566	571	658	267	515	709	390	180	767		
700	220	619	624	595	220	619	624	784	292	557	842	430	148	908		
750	230	666	671	689	230	666	671	878	292	618	964	430	316	1039		
800	240	717	721	809	240	717	721	991	318	652	1145	470	285	1234		
900	290	795	801	1048	290	795	801	1216	330	768	1390	510	406	1488		



P.O. Box 3949, Abu Dhabi, United Arab Emirates
Phone +971 2 4493841, info@advalco.ae, www.advalco.ae

